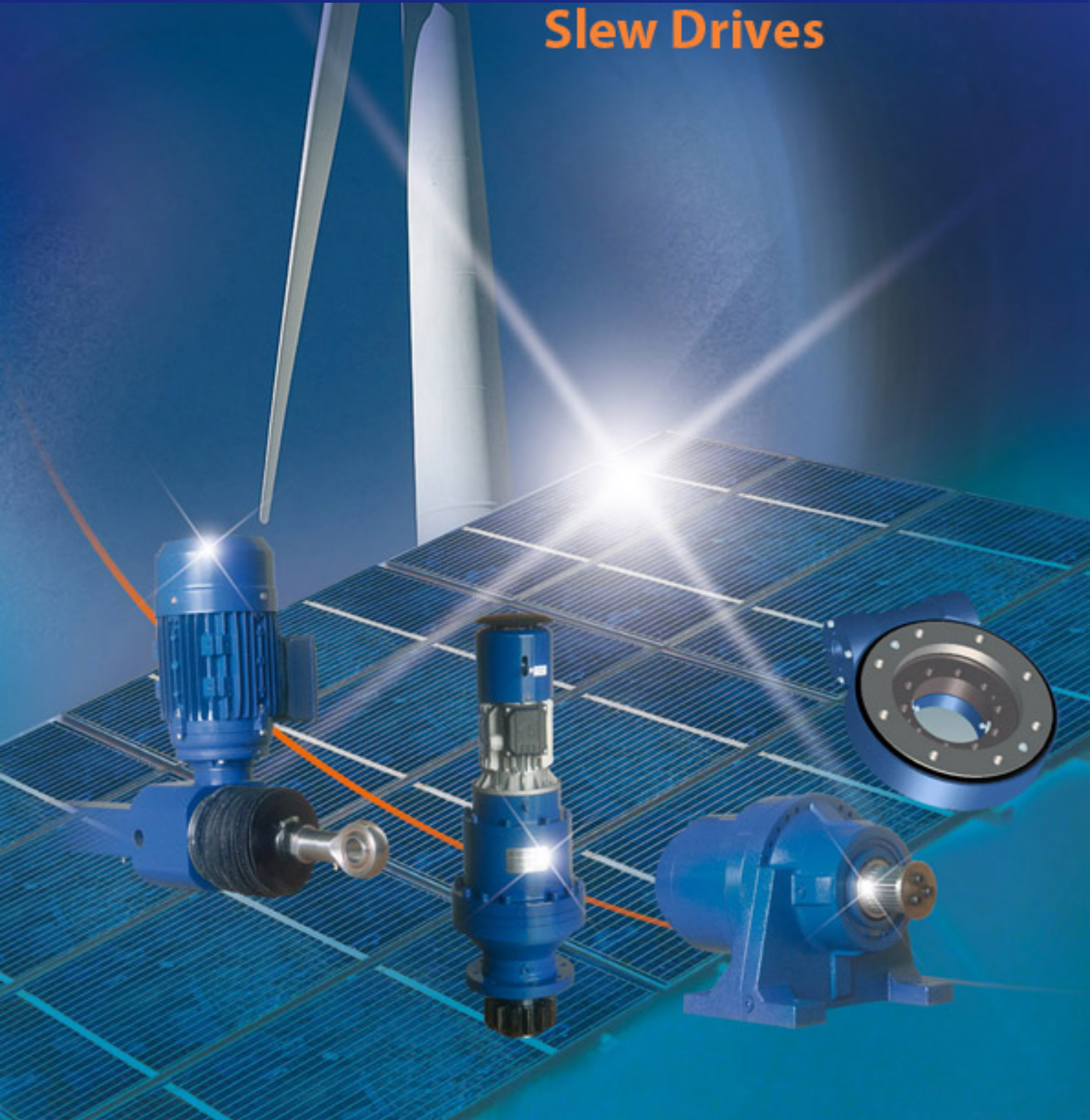


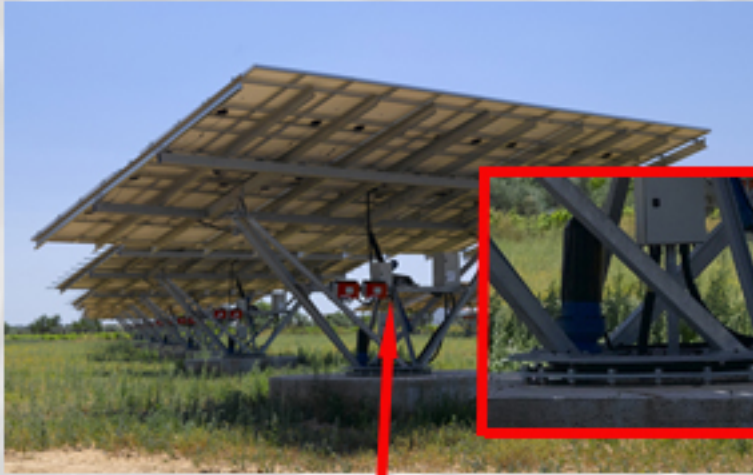
Solar Application Line

Slew Drives



Solar Application Line

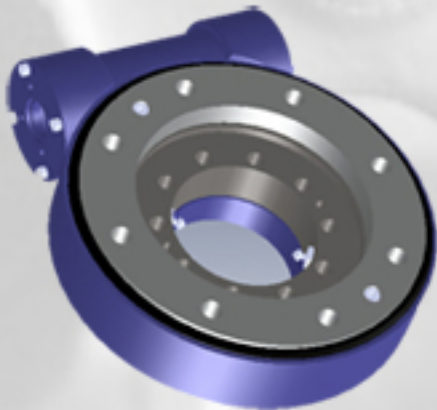
2 AXIS SOLAR TRACKER



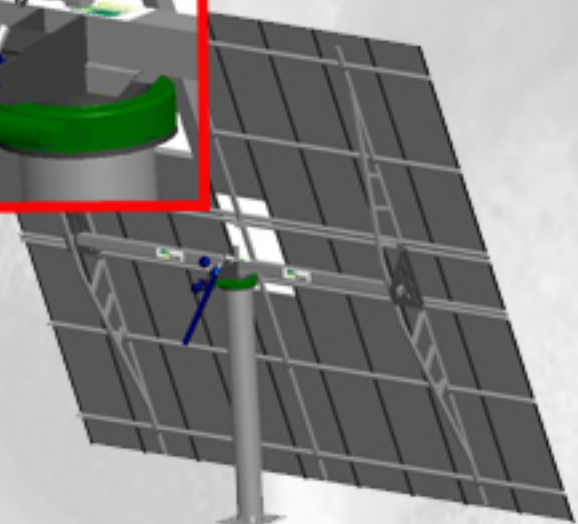
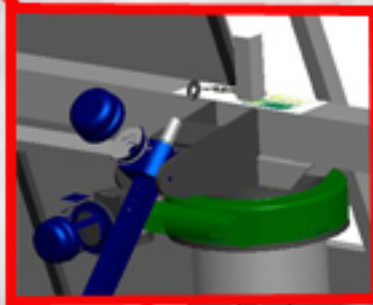
PLANETARY GEARBOX



SCREW JACK

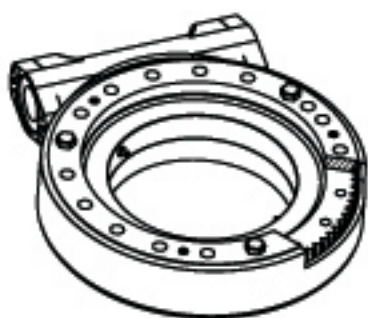
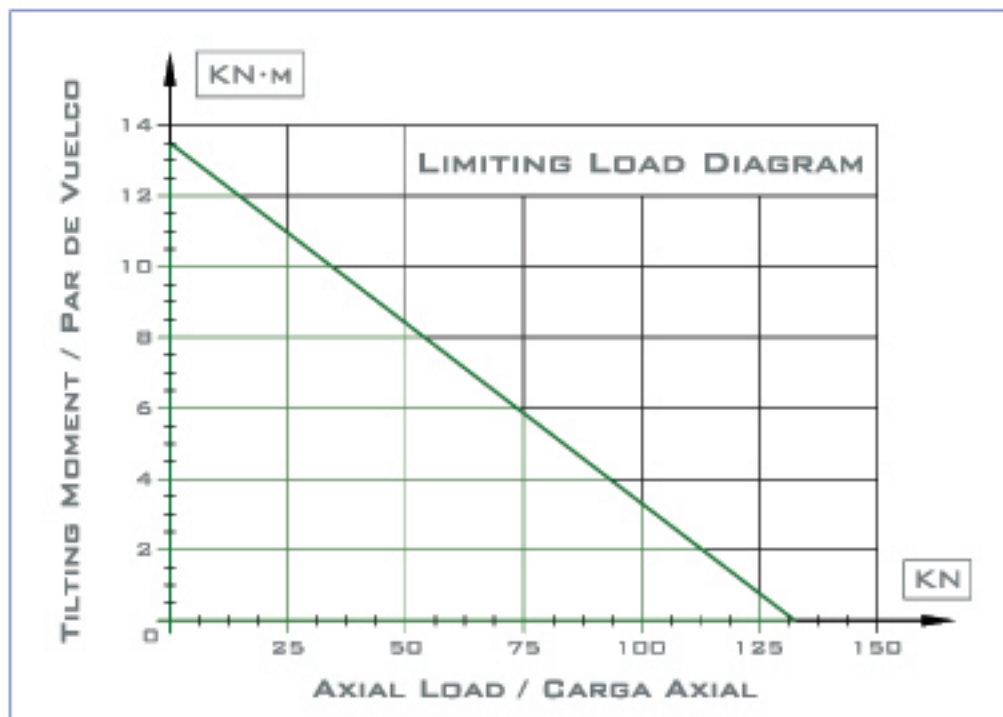


SLEW DRIVE



2 AXIS SOLAR TRACKER

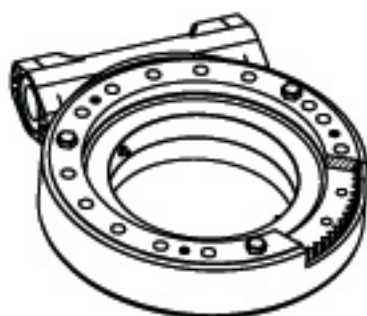
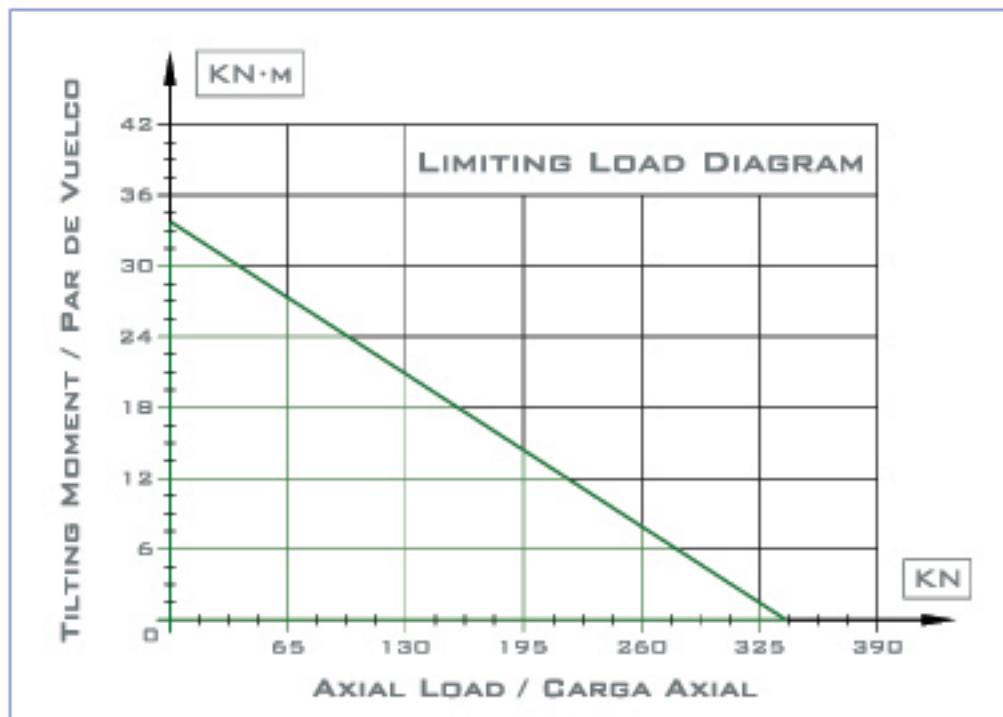
Solar Application Line



Modulo de giro Slew drive		REF. BA02	
MODULE	5	MM	
NUMBER OF WORMS	1	-	
GEAR RATIO	73:1	-	
EFFICIENCY	40%	-	
SELF-LOCKING GEARS	YES	-	
WEIGHT	24,5	KG	
HOLES	- NA	8 (M12)	Nº
HOLES	- NI	10 (M12)	Nº
MAXIUM TORQUE	1.458	NM	
NOMINAL TORQUE	1.042	NM	
TILTING MOMENT	13.560	NM	
STATIC LOAD RATING, RADIAL	53	KN	
STATIC LOAD RATING, AXIAL	133	KN	
DYNAMIC LOAD RATING, RADIAL	28	KN	
DYNAMIC LOAD RATING, AXIAL	32	KN	

ALL THE SLEWING DRIVES ARE PRE-LUBRICATED WITH EXTERNAL AND INTERNAL GREASE-POINTS

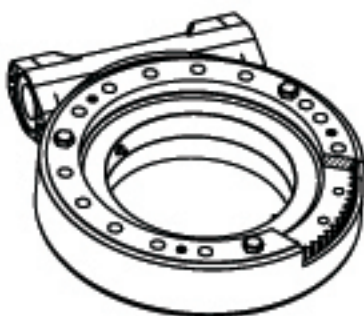
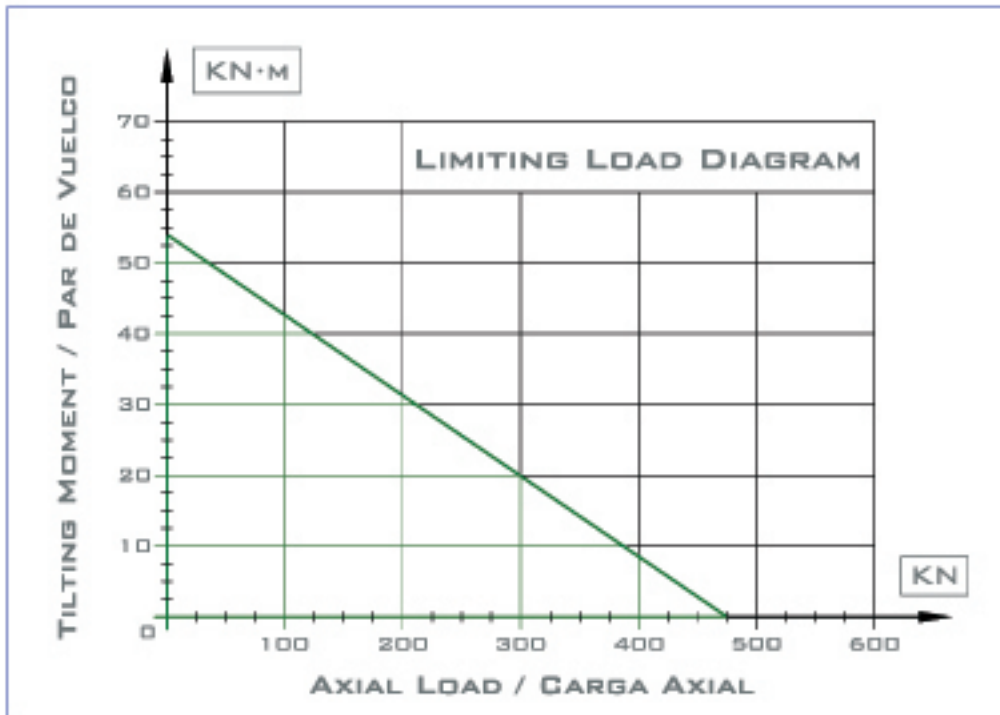
Solar Application Line



Modulo de giro Slew drive		REF. BA03	
MODULE	5	MM	
NUMBER OF WORMS	1	-	
GEAR RATIO	61:1	-	
EFFICIENCY	40%	-	
SELF-LOCKING GEARS	YES	-	
WEIGHT	55	KG	
HOLES	- NA	16 (H16)	Nº
HOLES	- NI	16-1 (H16)	Nº
MAXIUM TORQUE	8.835	NM	
NOMINAL TORQUE	7.320	NM	
TILTING MOMENT	33.920	NM	
STATIC LOAD RATING, RADIAL	135	KN	
STATIC LOAD RATING, AXIAL	338	KN	
DYNAMIC LOAD RATING, RADIAL	71	KN	
DYNAMIC LOAD RATING, AXIAL	81	KN	

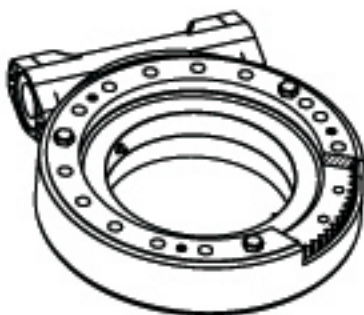
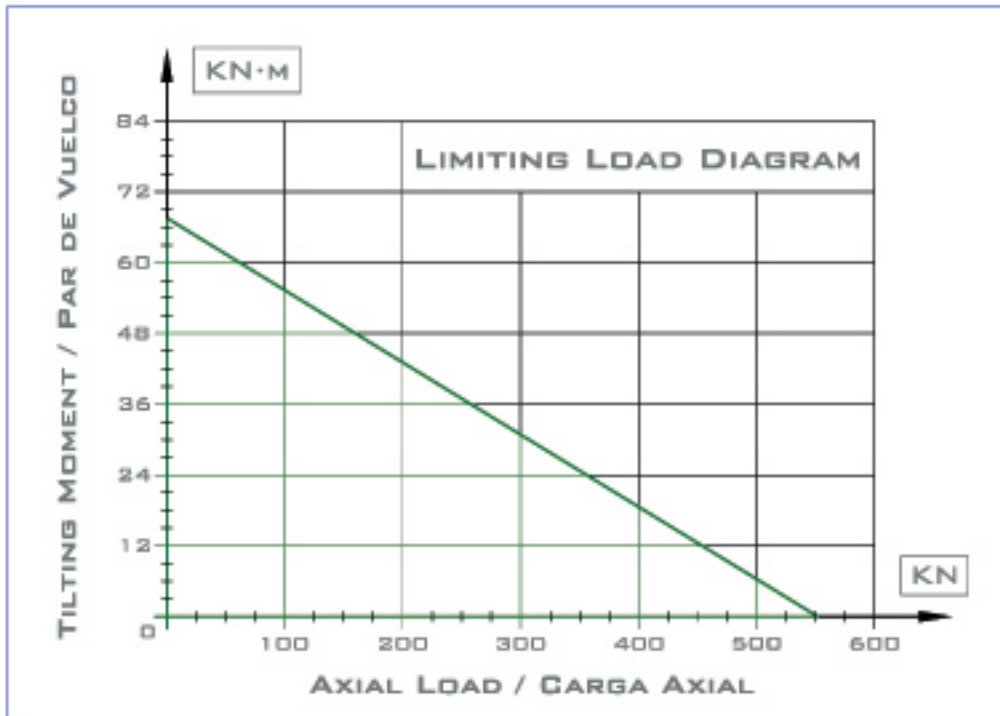
ALL THE SLEWING DRIVES ARE PRE-LUBRICATED WITH EXTERNAL AND INTERNAL BREAK-IN PIPES

Solar Application Line



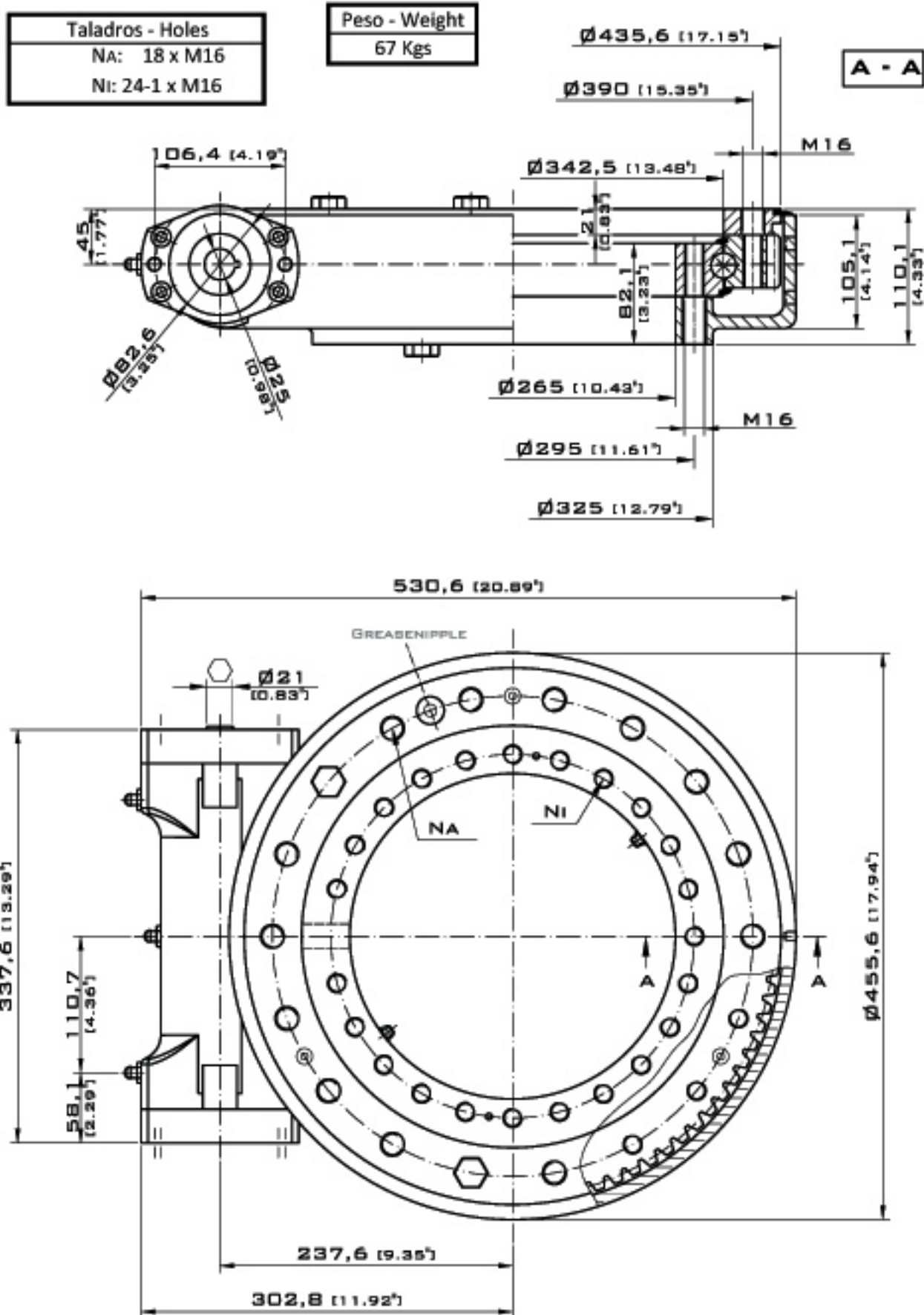
Modulo de giro Slew drive		REF. BA04				
MODULE	5	MM	MAXIUM TORQUE	11.295	NM	
NUMBER OF WORMS	1	-	NOMINAL TORQUE	9.360	NM	
GEAR RATIO	78:1	-	TILTING MOMENT	54.240	NM	
EFFICIENCY	40%	-	STATIC LOAD RATING, RADIAL	190	KN	
SELF-LOCKING GEARS	YES	-	STATIC LOAD RATING, AXIAL	475	KN	
WEIGHT	60.5	KG	DYNAMIC LOAD RATING, RADIAL	100	KN	
HOLES	- NA	24 (M12)	NO	DYNAMIC LOAD RATING, AXIAL	114	KN
HOLES	- NI	28-1 (M12)	NO	ALL THE SLEWING DRIVES ARE PRE-LUBRICATED WITH EXTERNAL AND INTERNAL BREAK-IN OILS		

Solar Application Line

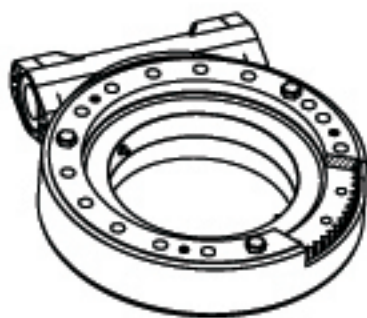
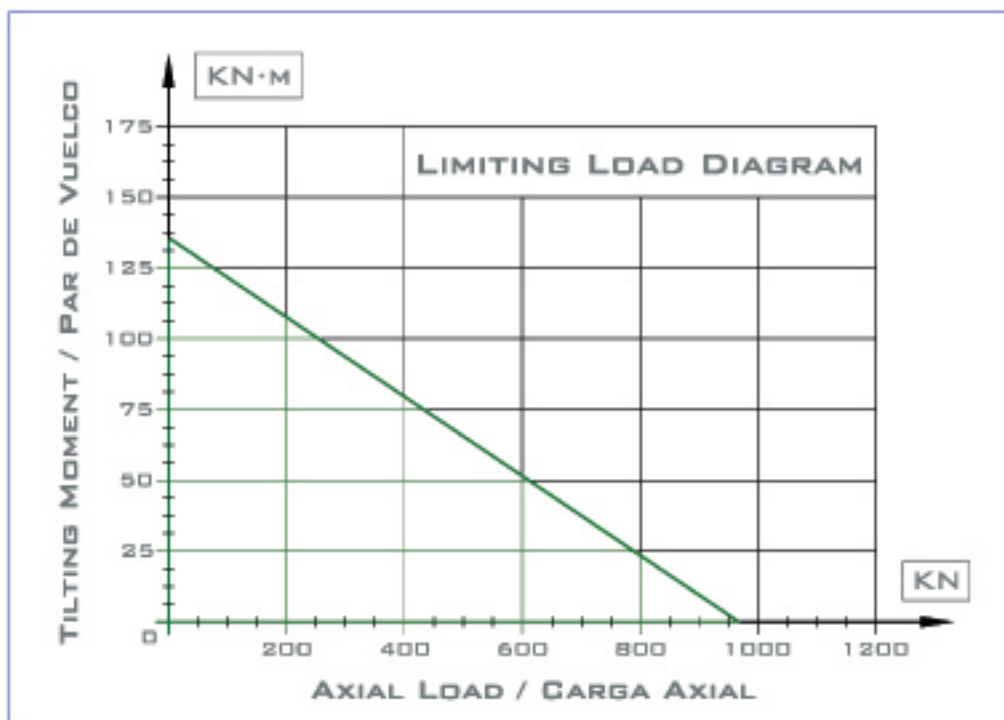


Modulo de giro Slew drive		REF. BA05				
MODULE	5	MM	MAXIUM TORQUE	12.308	NM	
NUMBER OF WORMS	1	-	NOMINAL TORQUE	10.200	NM	
GEAR RATIO	85:1	-	TILTING MOMENT	67.800	NM	
EFFICIENCY	40%	-	STATIC LOAD RATING, RADIAL	222	KN	
SELF-LOCKING GEARS	YES	-	STATIC LOAD RATING, AXIAL	555	KN	
WEIGHT	67	KG	DYNAMIC LOAD RATING, RADIAL	117	KN	
HOLES	- NA	18 (M16)	NO	DYNAMIC LOAD RATING, AXIAL	133	KN
HOLES	- NI	24 (M16)	NO	ALL THE SLEWING DRIVES ARE PRE-LUBRICATED WITH EXTERNAL AND INTERNAL BREAK-IN PILES		

Solar Application Line



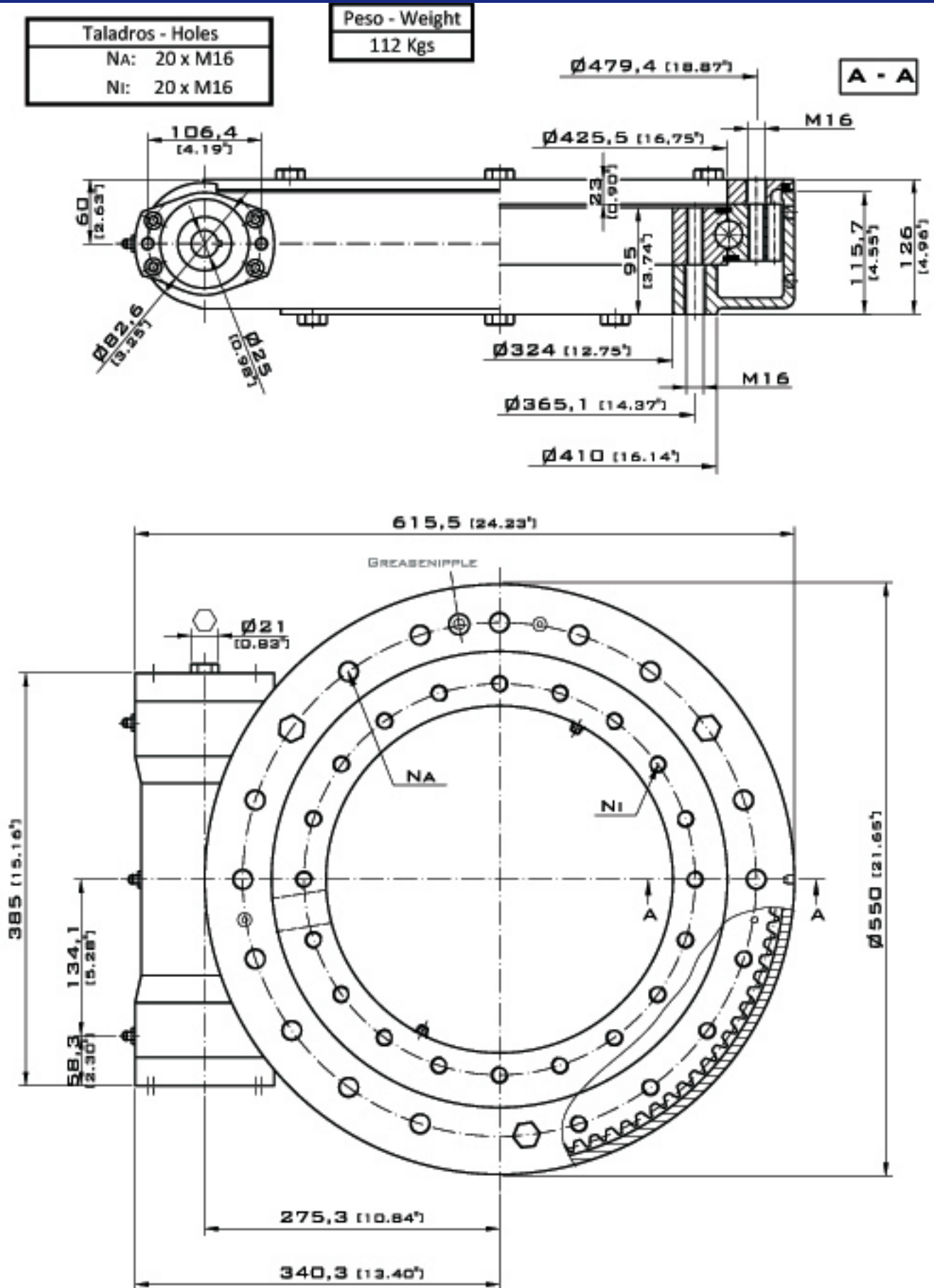
Solar Application Line



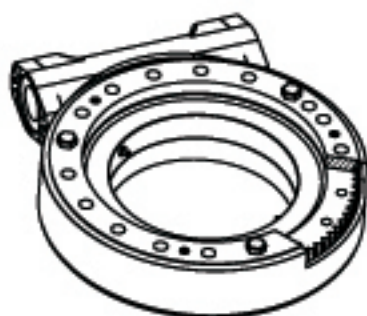
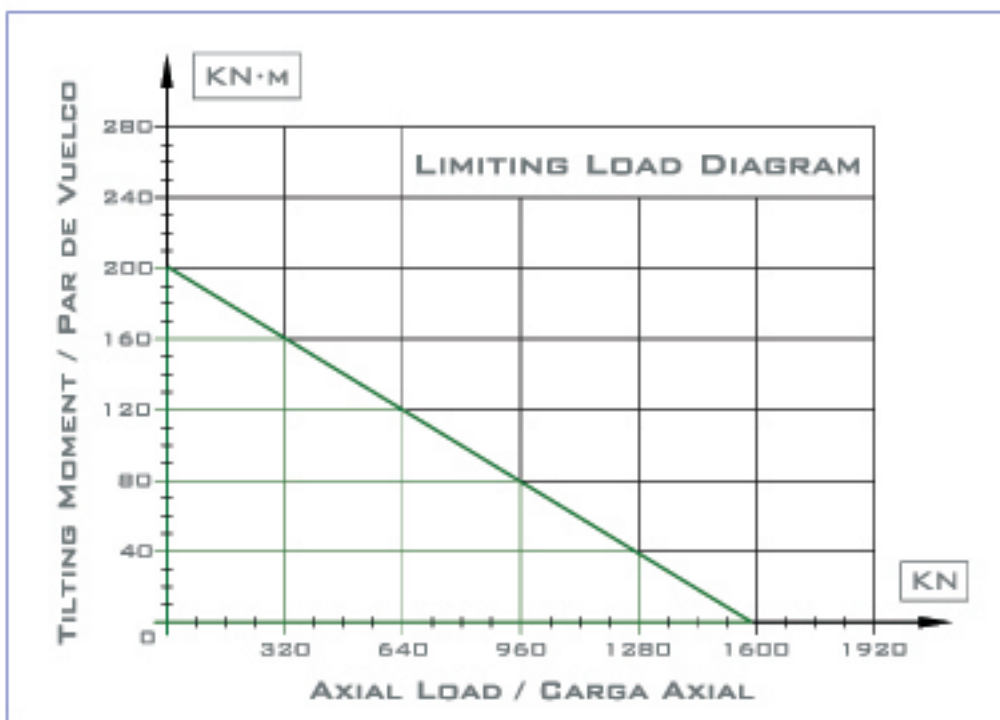
Modulo de giro Slew drive		REF. BA06	
MODULE	5	MM	
NUMBER OF WORMS	1	-	
GEAR RATIO	102:1	-	
EFFICIENCY	40%	-	
SELF-LOCKING GEARS	YES	-	
WEIGHT	112	KG	
HOLES	- NA	20 (M1.6)	Nº
HOLES	- NI	20 (M1.6)	Nº
MAXIUM TORQUE	18.034	NM	
NOMINAL TORQUE	15.096	NM	
TILTING MOMENT	135.600	NM	
STATIC LOAD RATING, RADIAL	391	KN	
STATIC LOAD RATING, AXIAL	977	KN	
DYNAMIC LOAD RATING, RADIAL	205	KN	
DYNAMIC LOAD RATING, AXIAL	235	KN	

ALL THE SLEWS DRIVES ARE PRE-LUBRICATED WITH EXTERNAL AND INTERNAL BREAK-IN FLIES

Solar Application Line



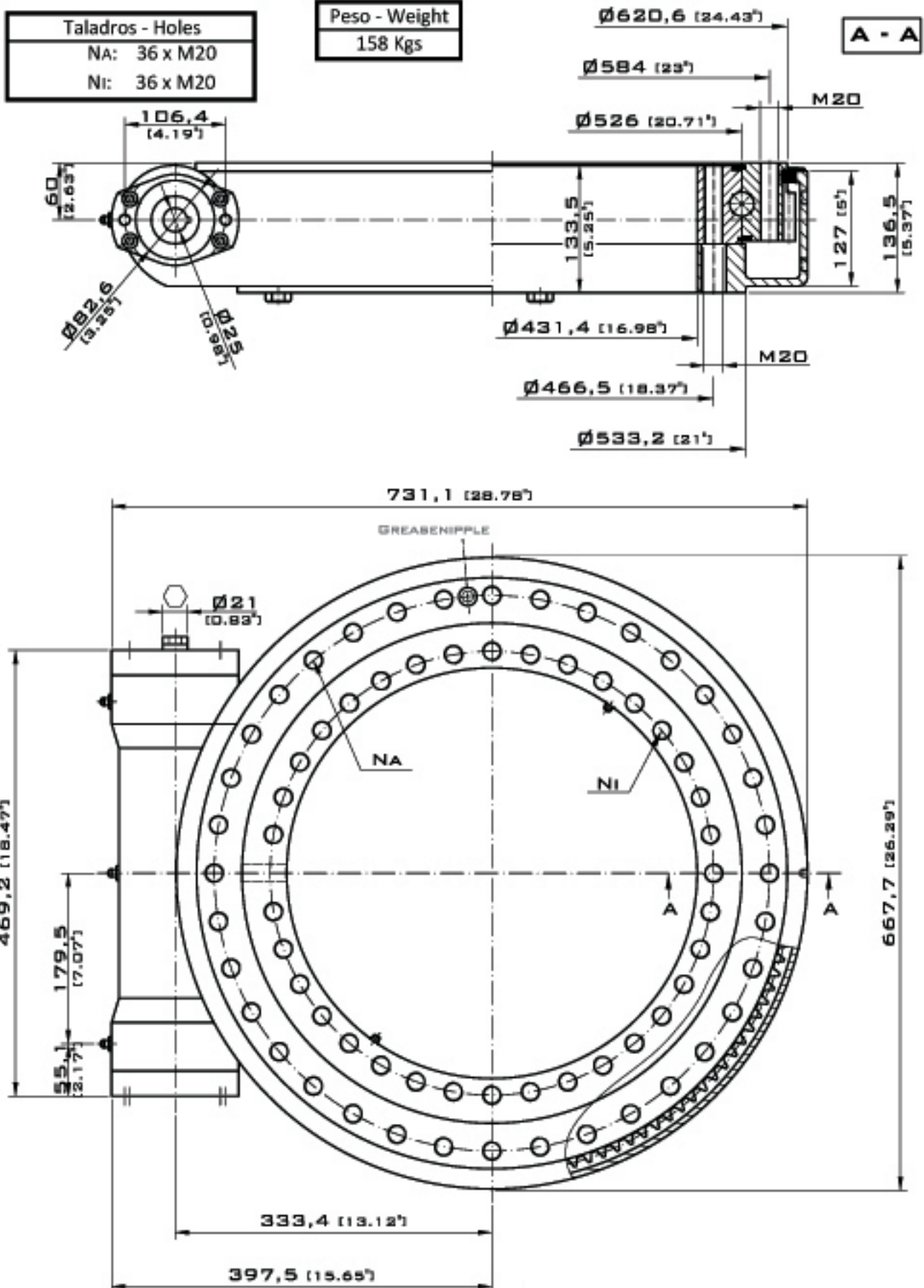
Solar Application Line



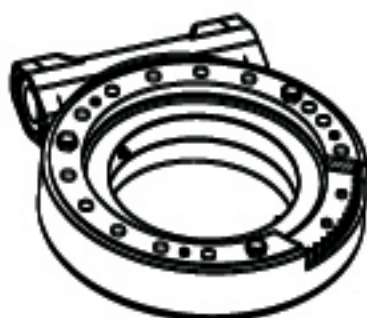
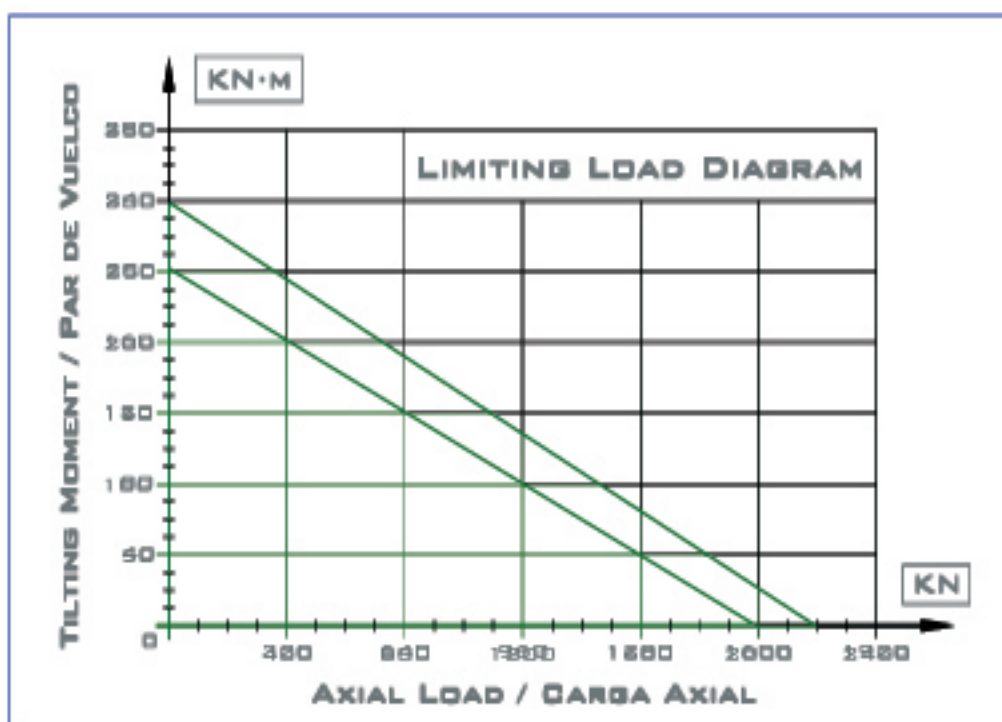
Modulo de giro Slew drive		REF. BA07	
MODULE	5	MM	
NUMBER OF WORMS	1	-	
GEAR RATIO	125:1	-	
EFFICIENCY	40%	-	
SELF-LOCKING GEARS	YES	-	
WEIGHT	158	KG	
HOLES - NA	36	Ø300	Nº
HOLES - NI	36-1	Ø300	Nº
MAXIMUM TORQUE	30.500	NM	
NOMINAL TORQUE	23.500	NM	
TILTING MOMENT	203.400	NM	
STATIC LOAD RATING, RADIAL	640	KN	
STATIC LOAD RATING, AXIAL	1.598	KN	
DYNAMIC LOAD RATING, RADIAL	336	KN	
DYNAMIC LOAD RATING, AXIAL	384	KN	

ALL THE SLEWING DRIVES ARE PRE-LUBRICATED WITH INTERNAL AND INTERNAL BREAK-IN OILS

Solar Application Line



Solar Application Line



Modulo de giro Slew drive		REF. BA08	
MODULE	5	MM	
NUMBER OF WORMS	1	-	
GEAR RATIO	180:1	-	
EFFICIENCY	40%	-	
SELF-LOCKING GEARS	YES	-	
WEIGHT	100	KG	
HOLES - NA	30	ØMM	NO
HOLES - NI	30-1	ØMM	NO
MAXIMUM TORQUE	40,500	NM	
NOMINAL TORQUE	25,300	NM	
TILTING MOMENT	208,600	NM	
STATIC LOAD RATING, RADIAL	890	KN	
STATIC LOAD RATING, AXIAL	2,590	KN	
DYNAMIC LOAD RATING, RADIAL	235	KN	
DYNAMIC LOAD RATING, AXIAL	880	KN	

ALL THE SLEWING DRIVES ARE PRELUBRICATED WITH INTERNAL AND INTERNAL OILS/GRIPPLER

Solar Application Line

